

Midi free-standing Beacons / LED Permanent-/ Blink-/ Revolving Light 829

**LED Rotat. Beacon BM 24VDC GN**

Part No.: 829.210.55

**MECHANICAL DATA**

|                              |                             |
|------------------------------|-----------------------------|
| Height                       | 137 mm                      |
| Diameter                     | 98 mm                       |
| Materials                    | PC<br>PC/ABS                |
| Dome colour                  | Green                       |
| Housing colour               | Black                       |
| Protection category          | IP65                        |
| Connection                   | Screw terminals             |
| cross-sectional area minimum | 0,50mm <sup>2</sup> / 20AWG |
| cross-sectional area maximum | 1,50mm <sup>2</sup> / 16AWG |
| Cable entry                  | Rubber pinch                |
| Cable entry minimum          | d = 5 mm                    |
| Cable entry maximum          | d = 7 mm                    |
| Type of fixing               | Base mounting               |
| Working temperature minimum  | -20°C                       |
| Working temperature maximum  | +50°C                       |
| Weight with packaging        | 264 g                       |
| Product weight               | 209 g                       |

**ELECTRICAL DATA**

|                             |                    |
|-----------------------------|--------------------|
| Operating voltage           | 24V                |
| Operating voltage type      | DC                 |
| Operating voltage tolerance | +/- 10%            |
| Rated operational voltage   | 24 VDC             |
| Rated operational current   | 300 mA             |
| Rated inrush current        | 500 mA             |
| Protection class            | Protection class 2 |
| Pollution degree            | 3                  |

**OPTICAL DATA**

|                      |                  |
|----------------------|------------------|
| Light source         | LED              |
| Light colour         | Green            |
| Optical signal image | Revolving        |
| Service life optical | 50,000 h maximum |
| Rotation speed (rpm) | 180 U/min        |

**APPROVAL DATA**

|                  |     |
|------------------|-----|
| Conforms with CE | Yes |
| WEEE             | Yes |

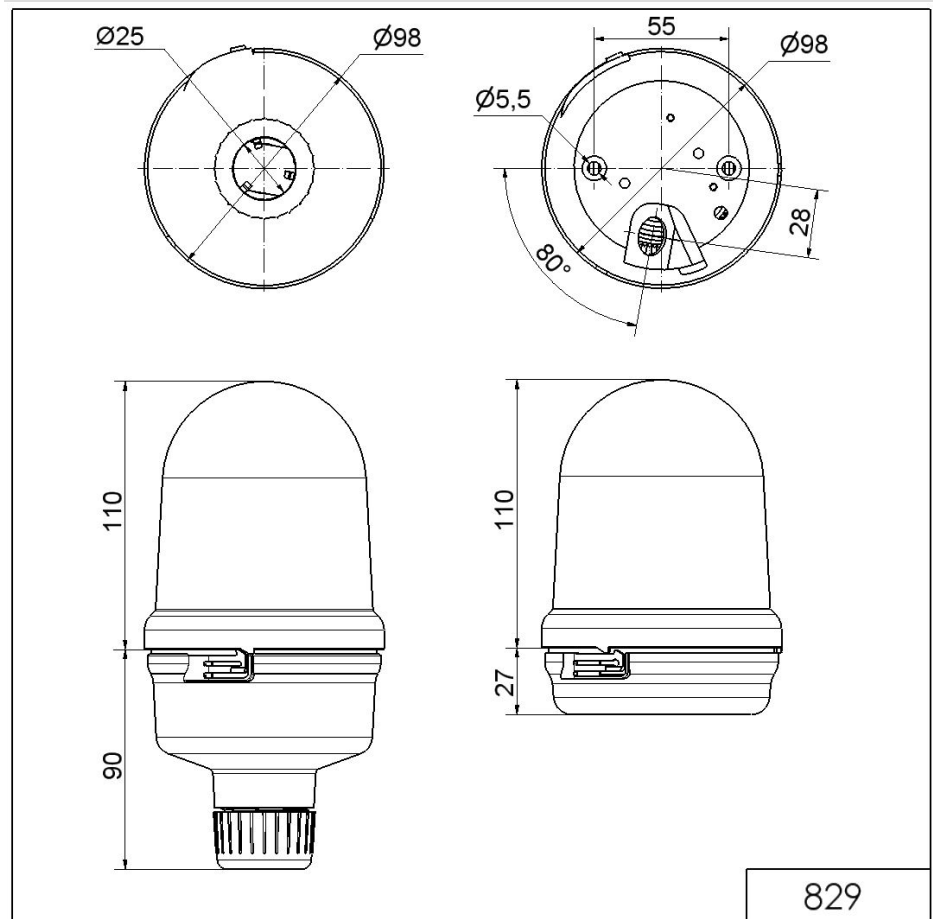


For additional installation and mounting information, refer to the appropriate user guide at [www.werma.com](http://www.werma.com). This printed copy is for information only and is subject to alteration.

Midi free-standing Beacons / LED Permanent-/ Blink-/ Revolving Light 829  
**LED Rotat. Beacon BM 24VDC GN**

|                              |         |
|------------------------------|---------|
| Conforms with ATEX-directive | No      |
| Conforms with CCC            | No      |
| Conforms with UL             | cULus   |
| UL Type Rating               | Type 12 |
| Conforms with FCC            | No      |
| Conforms with IC             | No      |
| EAC certificate available    | Yes     |
| Conforms with AS-I           | No      |
| ICAO Certification           | No      |
| Conforms with DNV            | No      |
| Conforms with RoHS CN        | No      |
| Conforms with VdS            | No      |
| MTTF-value [years]           | 1000    |

**DRAWING**



! For additional installation and mounting information, refer to the appropriate user guide at [www.werma.com](http://www.werma.com). This printed copy is for information only and is subject to alteration.